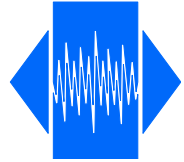


HC-49U

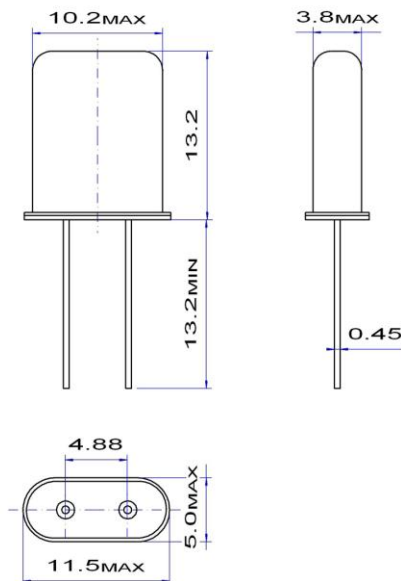


Metal packaged through hole Crystal

Features

- Applications: telecommunications, audio, instruments, interface
- High frequency accuracy in stability and aging
- Wide frequency range: 1 to 250 MHz

Parameter	Specification	
Frequency range	1 ~ 33 MHz 10 ~ 70 MHz 50 ~ 130 MHz 100 ~ 250 MHz	fundamental 3 rd overtone 5 th overtone 7 th overtone
Mode of oscillation	AT cut	
Standard frequencies	2.0480, 3.579545, 9.0316, 10.2400, 12.00, 16.00 16.384, 20.00, 26.00, 38.40 & 40.00 MHz	
Frequency tolerance	±5 ~ ±20 ppm	@ +25 °C
Frequency stability	±5 ~ ±20 ppm	vs. operating temperature range
Aging	< ±1 ppm	1 st year
Load capacitance	series or parallel resonance (CL = 8 ~ 32 pF)	
Equivalent series resistance (ESR)	< 12 Ω @ 10 MHz < 8 Ω @ 32 MHz	
Drive level	10 ~ 100 μW	
Operating temperature range	-20 ~ +70 °C -40 ~ +85 °C -40 ~ +125 °C	commercial application industrial application on request
Storage temperature range	-55 ~ +125 °C	
Packaging	tray or plastic bag	
Customer specifications on request		



2002/95/EC RoHS compliant

03 May. 10