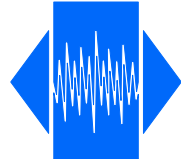


SMX-1S

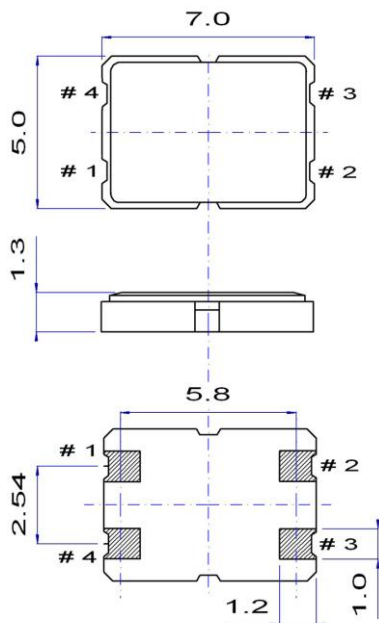


Miniature SMD Crystal

Features

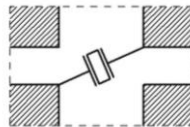
- Applications: telecommunications, audio, navigation, instruments
- Wide frequency range: 8 to 250 MHz
- High shock and vibrational resistivity
- Reflow soldering @ 260 °C

Parameter	Specification	
Frequency range	8 ~ 70 MHz 50 ~ 200 MHz 150 ~ 250 MHz	fundamental 3 rd overtone 5 th overtone
Mode of oscillation	AT-cut	
Standard frequencies	8.00, 10.00, 10.24, 12.80, 20.00, 24.00, 24.576, 32.00 40.00, 50.00, 51.84, 61.44, 76.8, 125.00 & 155.52 MHz	
Frequency tolerance	±5 ~ ±30 ppm	@ +25 °C
Frequency stability	±10 ~ ±50 ppm	vs. operating temperature range
Aging	±1 ppm	1 st year
Load capacitance	series or parallel resonance (CL = 8 ~ 32 pF)	
Equivalent series resistance (ESR)	< 25 Ω < 15 Ω	@ 13 MHz @ 32 MHz
Drive level	10 ~ 100 μW	
Operating temperature range	-20 ~ +70 °C -40 ~ +85 °C -40 ~ +125 °C	commercial application industrial application automotive & avionic application
Storage temperature range	-55 ~ +125 °C	
Packaging unit	tape & reel	1'000 or 2'000 pieces
Moisture sensitivity	Level 1 (unlimited)	
Customer specifications on request		

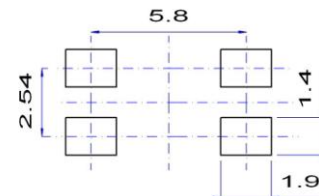


Pin function

- # 1 crystal connection
- # 2 GND
- # 3 crystal connection
- # 4 GND



Soldering pattern



Do not design any conductive path between the pattern

IR reflow soldering temperature

