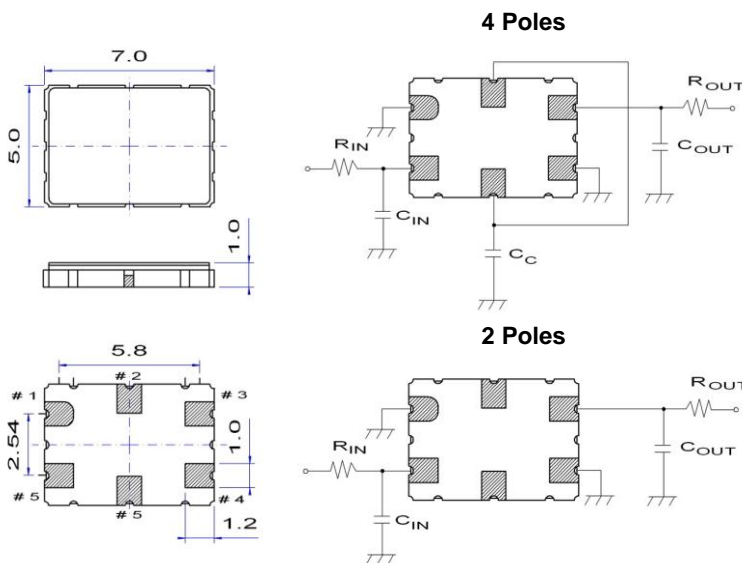


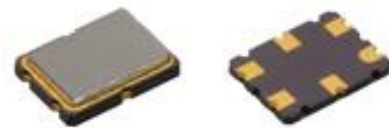
Ceramic packaged SMD MCF

Type	Nominal Frequency [MHz]	Pole	Pass Band		Attenuation Band		Ripple max. [dB]	Insertion Loss [dB]	Attenuation Guaranteed		Terminal Impedance $Z_{IN} = Z_{OUT}$ [Ω // pF // pF]
			[dB]	[kHz]	[dB]	[kHz]			[dB]	[$F_o \sim \pm$ kHz]	
21S7A	21.4000	2	3	± 3.75	18	± 18	1.0	1.5	50	-910 \pm 10	850 // 6.0
21S7B	21.4000	4	3	± 3.75	35	± 14	1.0	2.5	80	-910 \pm 10	1000 // 4.5 Cc = 4.5
21S12B	21.4000	4	3	± 6.0	30	± 20	1.0	2.5	80	-910 \pm 10	1500 // 2.0 Cc = 8.0
21S15A	21.4000	2	3	± 7.5	15	± 25	1.0	1.5	50	-910 \pm 10	1500 // 2.0
21S15B	21.4000	4	3	± 7.5	35	± 25	1.0	2.5	80	-910 \pm 10	1500 // 5.0 Cc = 5.0
21S30A	21.4000	2	3	± 15.0	15	± 45	1.0	1.5	45	-910 \pm 10	3000 // 0
21S30B	21.4000	4	3	± 15.0	35	± 50	1.0	2.5	80	-910 \pm 10	3000 // -1.5 Cc = 6.0
32S8A	32.7680	2	3	± 4.0	40	± 40	1.0	2.0	60	-910 \pm 10	650 // 4.5
38S8AF	38.4000	2	3	± 4.0	40	± 40	1.0	2.0	65	-910 \pm 10	650 // 4.5
45S7BF	45.0000	4	3	± 3.75	30	± 12	1.0	4.0	80	-910 \pm 10	550 // 2.5 Cc = 15.5
45S15BF	45.0000	4	3	± 7.5	35	± 25	1.0	3.0	80	-910 \pm 10	900 // 2.0 Cc = 7.0
45S12BF	45.0000	4	3	± 6.0	30	± 20	1.0	3.0	80	-910 \pm 10	950 // 1.2 Cc = 8.0
45S12BF10	45.1000	4	3	± 6.0	30	± 20	1.0	3.0	80	-910 \pm 10	950 // 1.2 Cc = 8.0
45S20BF	45.0000	4	3	± 10.0	25	± 25	1.0	3.0	80	-910 \pm 10	1'000 // 1.6 Cc = 5.0
45S30BF	45.0000	4	3	± 15.0	30	± 50	1.0	3.0	80	-910 \pm 10	1500 // 0.7 Cc = 3.0
45S34AF	45.0000	4	3	± 17.0	15	± 60	1.0	2.5	65	-910 \pm 10	800 // 2.9
70S15A	70.0000	2	3	± 7.5	18	± 20	1.0	3.0	50	-910 \pm 10	1500 // -1
73S13B	73.0000	4	3	± 6.5	30	± 20	1.0	4.0	70	-910 \pm 10	1700 // -0.6 Cc = -1.3
90S10A	90.0000	2	3	± 10.0	15	± 35	1.0	4.0	30	-910 \pm 10	1800 // -0.8
92S6A	92.1600	2	3	± 3.0	30	± 30	1.0	3.0	30	-910 \pm 10	2000 // -1

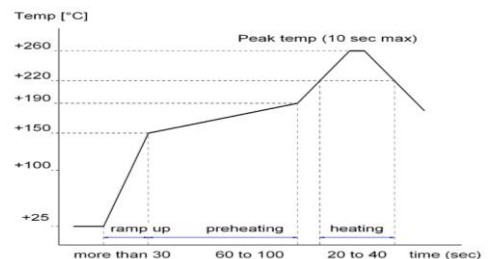
operating temperature range	-20 ~ +70 °C -30 ~ +75 °C -40 ~ +85 °C	commercial application on request industrial application
packaging units for SMD type	tape & reel:	500 or 1k pieces
other nominal frequencies , pass band and attenuations on request		



dimensions in mm



Example for IR reflow soldering temperature



2002/95/EC RoHS compliant

09 Dec. 13