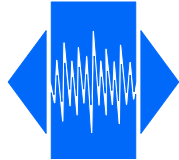


VTO-SK-H-4p

SMD VC-TCXO
HCMOS

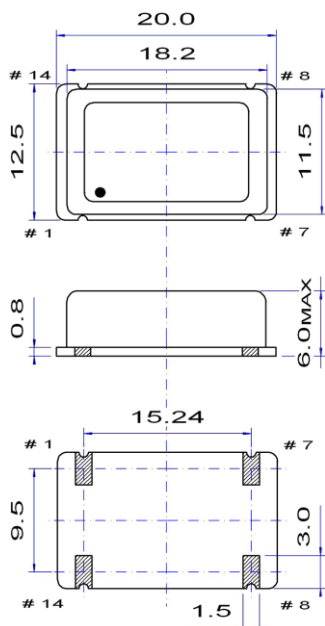
QuartzCom
the communications company



Features

- Applications: telecom infrastructure, broadband access
- Output signal HCMOS
- Wide frequency range up to 200 MHz
- Low phase noise

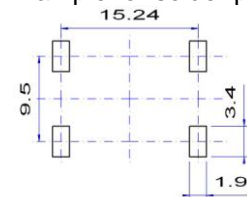
| Parameter | Specification | |
|--|---|--|
| | VTO-SK-3H-4p | VTO-SK-5H-4p |
| Frequency range | 10 ~ 200 MHz | |
| Standard frequencies | 10.000, 13.000, 19.200, 19.440, 20.000, 26.000 & 80.000 MHz | |
| Frequency stability: | | |
| vs. temperature | ≤ ±0.5 ~ ±2.5 ppm | |
| vs. supply & load change | ≤ ±0.2 ppm | ±5 % |
| vs. aging | ≤ ±1.0 ppm | 1 st year |
| Frequency tolerance ex. factory | ≤ ±1.0 ppm | @ +25 °C |
| Supply voltage | +3.3 V ±5 % | +5.0 V ±5 % |
| Supply current | 10 ~ 65 mA | |
| Output signal | HCMOS | |
| Output load | 15 pF | |
| Frequency pulling range | ±5 ~ ±20 ppm | |
| Voltage control | +1.65 V ±1.35 V | +2.5 V ±2.0 V |
| Phase noise @ 80 MHz carrier frequency | -115 dBc/Hz -138 dBc/Hz -148 dBc/Hz | @ 100 Hz @ 1 kHz @ 10 kHz |
| Operating temperature range | -20 ~ +70 °C -40 ~ +85 °C | commercial application industrial application |
| Storage temperature range | -55 ~ +125 °C | |
| Packaging units | tape & reel tray | 500 pieces 50 pieces |
| Customer specifications on request | | |



Pin function

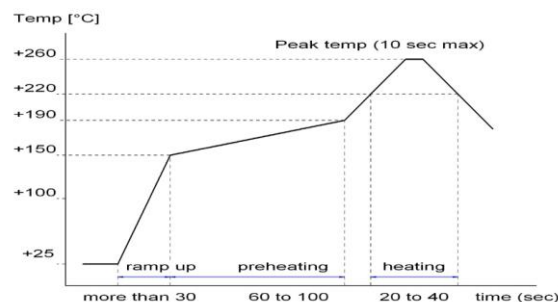
- # 1 Vc Voltage control
- # 7 GND
- # 8 Output
- # 14 Vdc

Example for solder pattern



Do not design any conductive path between the pattern

Example for IR reflow soldering temperature



2002/95/EC RoHS compliant

02 May. 10

QuartzCom AG
sales@quartzcom.com

QuartzCom Asia
sales-asia@quartzcom.com

QuartzCom USA
sales-usa@quartzcom.com

www.quartzcom.com