

# VXO-SM-4J

Plastic moulded SMD VCXO  
HCMOS

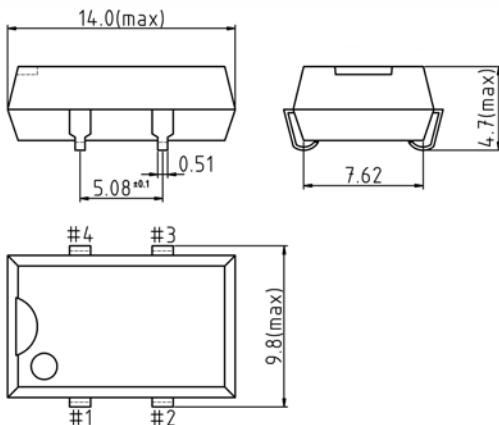
QuartzCom  
the communications company



## Features

- Applications: telecommunications, instrumentation, microwave
- Output frequency up to 70 MHz
- Low cost
- Highly shock and vibration resistant

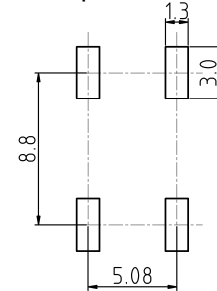
Parameter	Specification	
	VXO-SM3-4p	VXO-SM5-4p
Frequency range	10 ~ 70 MHz	
Standard frequencies	13.00, 27.00, 32.768, 38.880 & 40.00 MHz	
Supply voltage	+3.3 V $\pm$ 5 %	+5.0 V $\pm$ 5 %
Supply current	10 ~ 50 mA	6 ~ 25 mA
Frequency stability (all inclusive) (*)	< $\pm$ 25 ppm < $\pm$ 50 ppm	over -20 ~ +70 °C over -40 ~ +85 °C
Output signal	HCMOS	
Output voltage	$V_{OH} \geq 0.9$ Vdc	$V_{OL} \leq 0.1$ Vdc
Output load	15 pF	25 pF ~ 50 pF on request
Symmetry	45 ~ 55 %	@ 1/2 Vdc
Rise / Fall time	4 ~ 8 ns	
Frequency pulling range	$\pm$ 50 ~ $\pm$ 100 ppm	
Voltage control	+1.65 V $\pm$ 1.35 V	+2.5 V $\pm$ 2.0 V
Operating temperature range	-20 ~ +70 °C -40 ~ +85 °C	commercial application industrial application
Packaging units	tape & reel	500 or 1'000 pieces
(*) All inclusive frequency stability vs. temperature, tolerance, aging, supply & load variation		
Customer specifications on request		



## Pin function

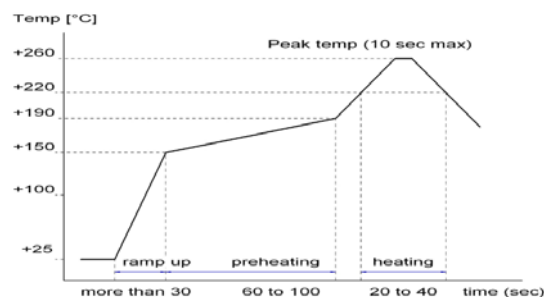
- # 1 Vc Voltage control
- # 2 GND
- # 3 Output
- # 4 Vdc

## Example for solder pattern



Do not design any conductive path between the pattern

## Example for IR reflow soldering temperature



2002/95/EC RoHS compliant