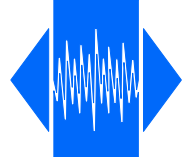


# VXO-3S3-6p

Small SMD VCXO  
HCMOS

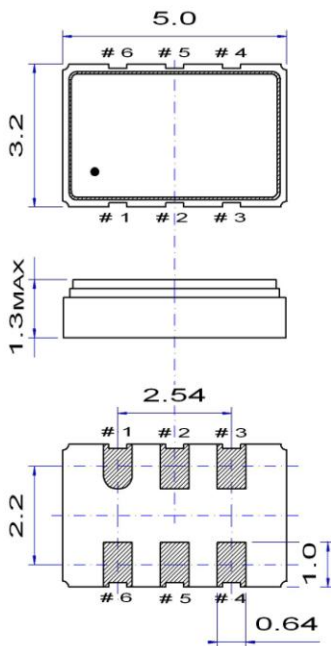
**QuartzCom**  
the communications company



## Features

- Applications: telecommunications, instrumentation, microwave
- Small package size: 5.0 x 3.2 x 1.3 mm
- Output frequency up to 78 MHz
- Low jitter < 1.0 ps
- Highly shock and vibration resistant

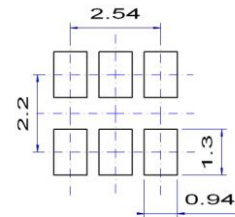
Parameter	Specification	
Frequency range	2 ~ 78 MHz	
Standard frequencies	13.00, 20.00, 25.00, 27.00, 32.768, 40.00 & 52.00 MHz	
Supply voltage	+3.3 V	±5 %
Supply current	10 ~ 25 mA	
Frequency stability (all inclusive) (*)	< ±25 ppm	over -20 ~ +70 °C
	< ±50 ppm	over -40 ~ +85 °C
Output signal	HCMOS	
Output voltage	$V_{OH} \geq 0.9 V_{dc}$ $V_{OL} \leq 0.1 V_{dc}$	
Output load	15 pF	
Symmetry	45 ~ 55 %	@ ½ Vdc
Rise / Fall time	4 ~ 8 ns	
Frequency pulling range	±50 ~ ±100 ppm	
Voltage control	+1.65 V	±1.35 V
Enable / Disable function	Pin #2	high or open → pin #4 enable
Jitter (rms)	< 1 ps	@ 12 kHz ~ 20 MHz from carrier frequency
Operating temperature range	-20 ~ +70 °C	commercial application
	-40 ~ +85 °C	industrial application
Packaging units	tape & reel	500 or 1.000 pieces
(*) All inclusive: frequency stability, tolerance, aging, supply & load variation		
Customer specifications on request		



## Pin function

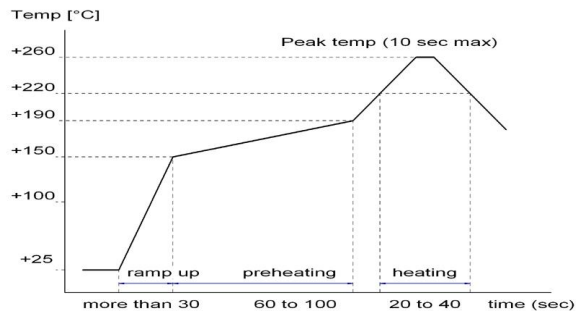
- # 1 Vc Voltage control
- # 2 E/D or not connected
- # 3 GND
- # 4 Output
- # 5 not connected
- # 6 Vdc

## Example for solder pattern



Do not design any conductive path between the pattern

## Example for IR reflow soldering temperature



2002/95/EC RoHS compliant

02 May. 10