

MCO-3S-HP

High precision
SMD Clock Oscillator

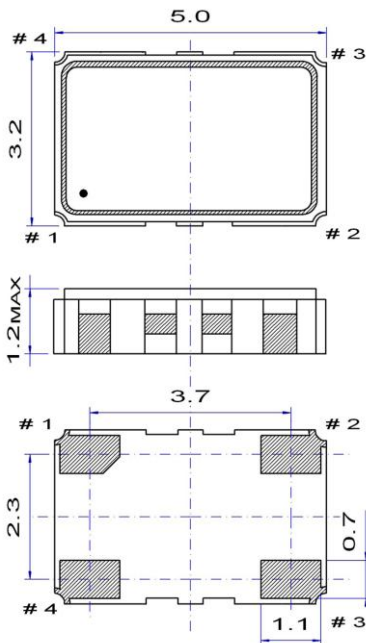
QuartzCom
the communications company



Features

- Applications: telecommunications, wireless communications
- Miniature package: 5.0 x 3.2 x 1.2 mm
- Tight frequency stability
- High shock and vibration resistant

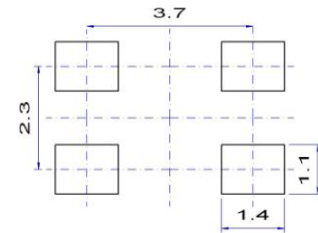
Parameter	Specification	
	MCO-3S25-HP	MCO-3S3-HP
Frequency range	5 ~ 54 MHz	
Standard frequencies	13.00, 16.00, 16.384, 19.44, 24.00, 32.00, 40.00 & 44.00 MHz	
Supply voltage	+2.5 V \pm 5 %	+3.3 V \pm 5 %
Supply current	2 ~ 5 mA	3 ~ 7 mA
Frequency stability vs. temperature	\pm 5 ppm \pm 10 ppm \pm 20 ppm	0 ~ +50 °C -10 ~ +60 °C -40 ~ +85 °C
Output signal	CMOS	
Output level	$V_{OH} \geq 0.9$ Vdc	$V_{OL} \leq 0.1$ Vdc
Output load	15 pF	
Jitter (rms)	< 1 ps @ 12 kHz ~ 20 MHz from carrier frequency	
Symmetry	45 ~ 55 %	@ 1/2 Vdc
Rise / Fall time	3 ~ 7 ns	
Tri-state function	pin #1 = high or open pin #1 = low	pin #3 → signal pin #3 → high impedance
Operating temperature range	-10 ~ +60 °C -40 ~ +85 °C	commercial application industrial application
Storage temperature range	-55 ~ +125 °C	
Packaging units	tape & reel	1'000 pieces
Customer specifications on request		



Pin function

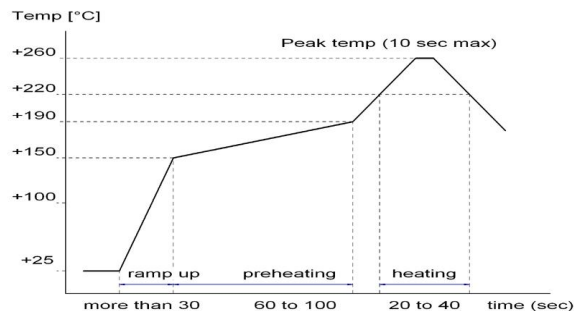
- # 1 Tri-state
- # 2 GND
- # 3 Output
- # 4 Vdc

Example for solder pattern



Do not design any conductive path between the pattern

Example for IR reflow soldering temperature



2002/95/EC RoHS compliant

01 Apr. 10

QuartzCom AG
sales@quartzcom.com

QuartzCom Asia
sales-asia@quartzcom.com

QuartzCom USA
sales-usa@quartzcom.com

www.quartzcom.com