

MCO-6S-P

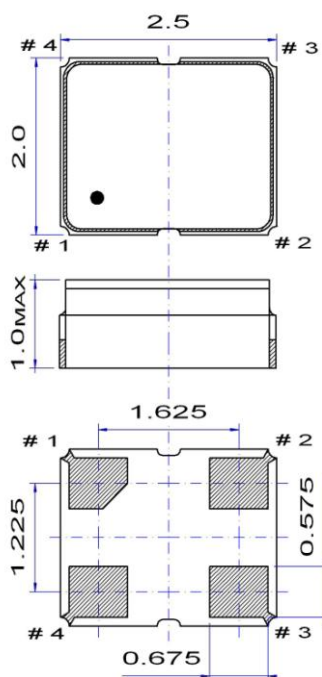
SMD Clock Oscillator
Programmable



Features

- Miniature package 2.5 x 2.0 mm
- Output signal CMOS
- Programmable wide frequency range
- Short lead time for samples: 1 week max.

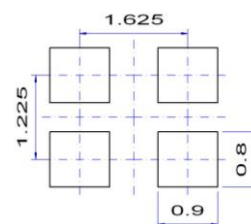
Parameter	Specification		
	MCO-6S18P	MCO-6S25P	MCO-6S3P
Frequency range	1 MHz ~ 133 MHz	1 MHz ~ 166 MHz	1 MHz ~ 200 MHz
Supply voltage	+1.8 V ±10 %	+2.5 V ±10 %	+3.3 V ±10 %
Supply current	1 ~ 75 MHz 76 ~ 133 MHz 134 ~ 166 MHz 167 ~ 200 MHz	< 8 mA < 12 mA - -	< 10 mA < 15 mA < 15 mA < 22 mA < 25 mA
Frequency stability	±25 ~ ±50 ppm		
all inclusive: frequency stability, tolerance, aging, supply & load variation			
Output signal	CMOS		
Output level	V _{OH} ≥ 0.9 Vdc		V _{OL} ≤ 0.1 Vdc
Output load	15 pF ~ 25 pF		
Jitter (rms)	< 10 ps @ 12 kHz ~ 20 MHz from carrier frequency		
Symmetry	45 ~ 55 %		@ ½ Vdc
Rise/Fall time	4 ~ 10 ns		
Tri-state function	pin #1 = high or open pin #1 = low	pin #3 → signal pin #3 → high impedance	
Operating temperature range	-20 ~ +70 °C -40 ~ +85 °C		commercial application industrial application
Storage temperature range	-55 ~ +125 °C		
Packaging units	tape & reel tape only	1'000 or 2'500 pieces < 500 pieces	



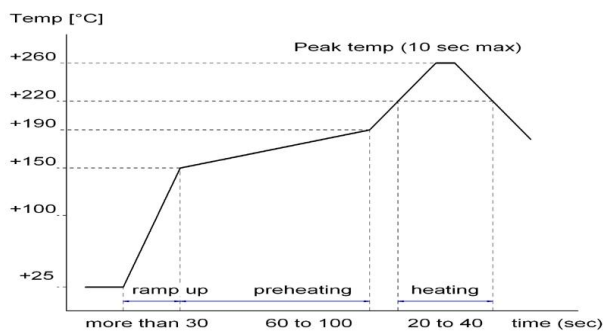
Pin function

- # 1 Tri-state
- # 2 GND
- # 3 Output
- # 4 Vdc

Solder pattern



IR reflow soldering temperature



2011/65/EU RoHS compliant

31 Mar. 14

QuartzCom AG
sales@quartzcom.com

QuartzCom Asia
sales-asia@quartzcom.com

QuartzCom USA
sales-usa@quartzcom.com

www.quartzcom.com