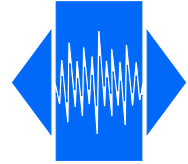
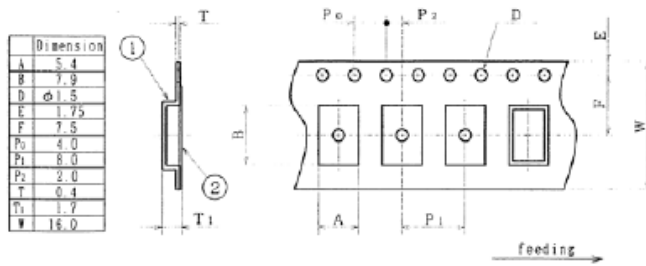


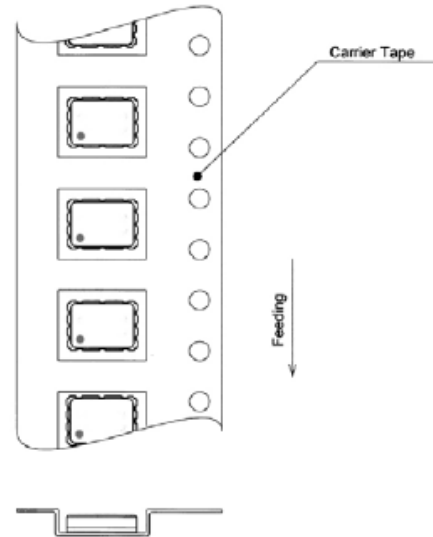
Packing information



Tape dimension



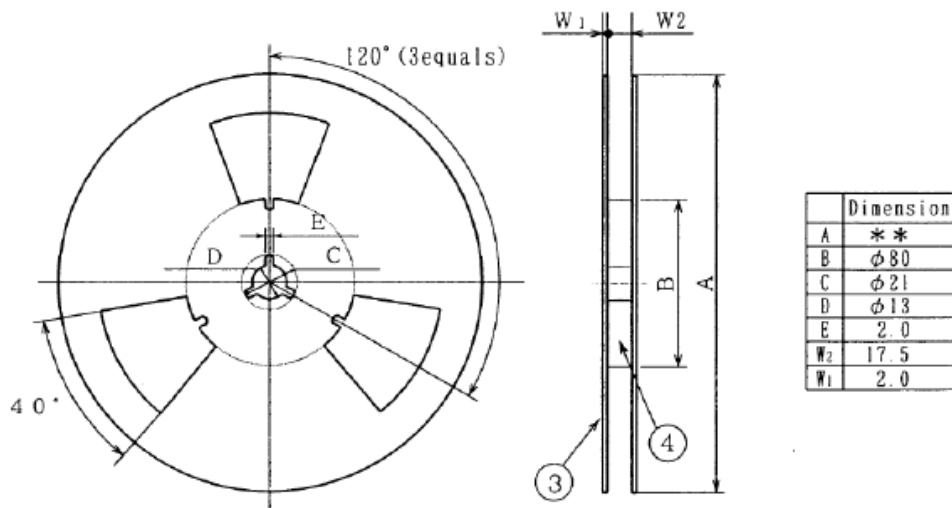
Filter orientation in Tape



Material description

Item	Description	Material	Remarks
1	Carrier Tape	PS	MA0108
2	Top Tape	PET	S-135
3	Guide Frame	Chip Ball	
4	Centre Core	PSP	

Reel dimension



as per EIAJ standard(481A and 1009B)

**1,000 pcs/reel A = φ178